



AVAILABLE MODELS

OREF INDUSTRIE Srl produces flake ice makers for industrial use, available in various models, on the LAND and SHIP, both operating with FRESH or SEA water and with a production capacity from 1000 to 15000 kg/24h.

TECHNICAL FEATURES

Load-bearing structure in galvanized steel complete with semi-hermetic screw or piston compressor, air condenser with axial fans, liquid receiver with safety valve, filter on the liquid line, liquid sight glass and solenoid valve, oil separator, high pressure switch (HP), low pressure switch (LP) and shut-off valves on the various components. Electrical panel IP55 painted sheet metal casing complete with general power switch, emergency button with luminous signals for working conditions and alarms, digital ammeter / voltmeter, transformer for auxiliary contacts, power contactors with thermal protection, auxiliary contacts, delay device and protections for gear motor, water level and water pump.

OPERATION

The AMS ice maker uses a simplified cooling circuit for the production of flake ice while maintaining a high production and quality yield.



OREF INDUSTRIE srl

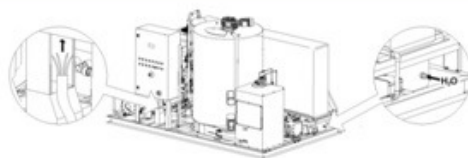
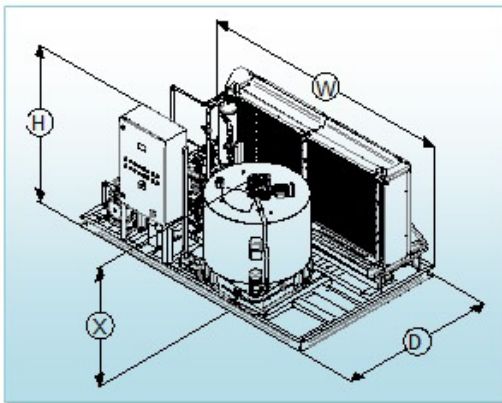
via Raffaello Sanzio, 16 - 20090 CESANO BOSCONI - (MI)

tel +39 0248620751 - tel +39 0236503739

www.gereco.com - info@orefsrl.it

OREF INDUSTRIE SRL

ice maker AMS

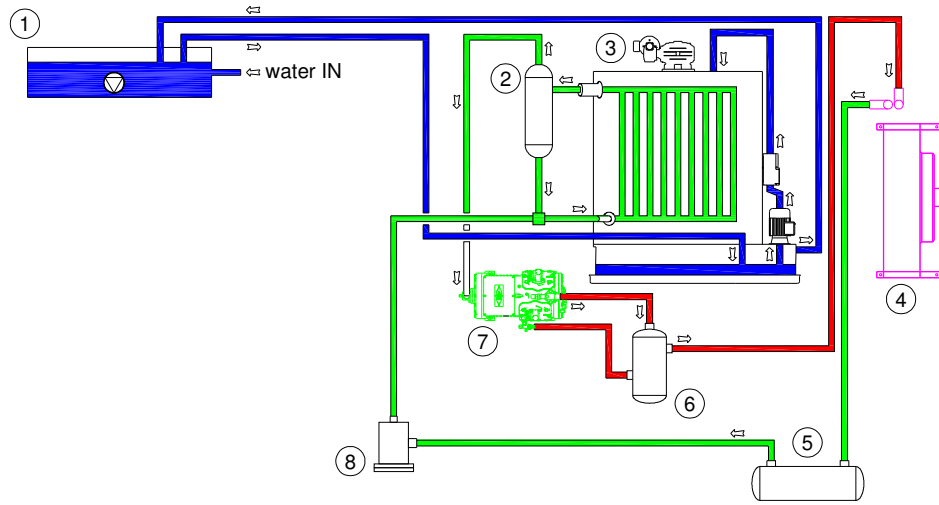


	Daily production kg/24h	Dimensions W D H X mm	net weight kg	Refrigerant volume l	Absorbed electric power W	Air temperature °C	Water temperature °C	Water pressure bar	Supply voltage V/Hz/ph	Ice temperature °C	Ice thickness mm	Evaporation temperature °C
AMS 10	1000	W=1000 D=1600 H=835 X=1100	350	3,5	6000	MIN 5	MIN 5	MIN 1	400/50/3+N	MIN -5	MIN 1,8	MIN -28
AMS 15	1500	W=1250 D=1800 H=1100 X=1150	500	4	7500	↑	↑	↑		↑	↑	↑
AMS 20	2000	W=1750 D=1500 H=1255 X=1275	580	6,5	10000	↑	↑	↑		↑	↑	↑
AMS 25	3000	W=1750 D=2500 H=1890 X=1340	1200	32	16000	↑	↑	↑		↑	↑	↑
AMS 35	5000	W=3000 D=1825 H=1630 X=1750	2800	42	25000	↑	↑	↑		↑	↑	↑
AMS 50	7500	W=3000 D=1825 H=1870 X=1950	3200	52	35000	↑	↑	↑		↑	↑	↑
AMS 55	10000	W=4100 D=2000 H=1900 X=2270	3600	67	40000	↑	↑	↑		↑	↑	↑
AMS 60	12500	W=4100 D=2000 H=1900 X=2370	4000	80	55000	↓	↓	↓		↓	↓	↓
AMS 65	15000	W=4100 D=2000 H=1900 X=2470	4200	95	70000	MAX 40	MAX 30	MAX 5	MAX -9	MAX 2,0	MAX -31	

OREF INDUSTRIE s.r.l. si riserva il diritto di apportare in qualsiasi momento e senza obbligo di preavviso, modifiche tecniche, estetiche e/o funzionali.



OREF INDUSTRIE srl
 via Raffaello Sanzio, 16 - 20090 CESANO BOSCONI - (MI)
 tel +39 0248620751 - tel +39 0236503739
 www.gereco.com - info@orefsrl.it



1 Water tank
2 receiver
3 evaporator

4 Air condenser
5 liquid receiver
6 oil separator

7 Compressor
8 Filter

